



PLANNING & APPLICATION UNI-SCREW MANUAL

Australia & New Zealand

Disclaimer

The information in this manual is by no means exhaustive. This document has been developed to assist with the correct preparation and installation of EQUITONE panels. For full and detailed information about storage, handling, preparation, and design and installation requirements of EQUITONE, refer to EQUITONE Design and Installation Guide and other available and relevant EQUITONE technical documents.

Refer to EQUITONE Material Safety Data Sheets (MSDS) or Safety Information Sheets (SIS) for more information about health and safety, including common hazards associated with working with EQUITONE, and measures to minimise risk.

The information in this document is correct at the time of issuing. However, due to our committed program of continuous material and system development we reserve the right to amend or alter the information contained in this document without prior notice. Please contact your local EQUITONE sales organisation or visit www.equitone.com to ensure you have the most current version.

This document is supplied in good faith and no liability can be accepted for any loss or damage resulting from its use. Images and construction details contained in this document are not to a specific scale, and are indicative and for illustration purposes only.

This document is protected by International copyright laws. Reproduction and distribution in whole or in part without prior written permission is strictly prohibited. EQUITONE and logos are trademarks of Etex NV or an affiliate thereof. Any use without authorisation is strictly prohibited and may violate trademark laws.

TABLE OF CONTENTS

TOOLS & ACCESSORIES

Page 3

STORAGE & HANDLING

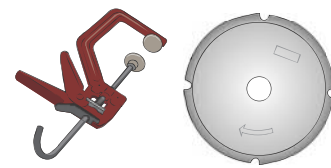
Page 4-6



PANEL CUTTING

Tools, Page 7

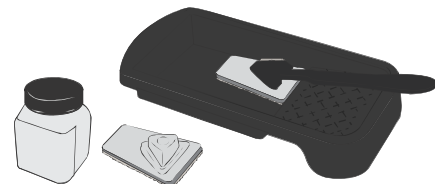
Panel cutting, Page 8



PANEL EDGE TREATMENT

Tools, Page 9

Panel edge treatment, Page 10-12



PANEL DRILLING

Tools, Page 13

Panel drilling, Page 14-15

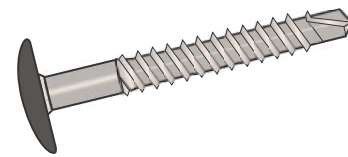
Panel drilling EQUITONE [lines], Page 16-17



UNI-SCREW FIXING

Tools, Page 18

UNI-Screw Fixing, Page 19-20



VENTILATION

Page 21



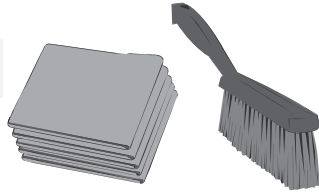
INSTALLATION

Page 22-26

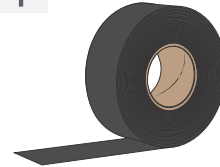


TOOLS & ACCESSORIES

EQUITONE
Care Toolkit



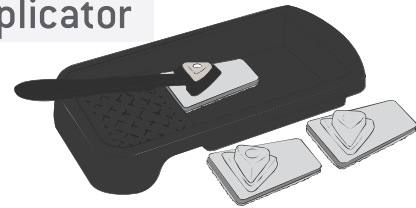
EPDM Strip



*LUKO Edge
Sealer



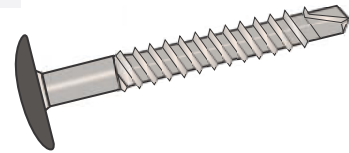
*LUKO Applicator



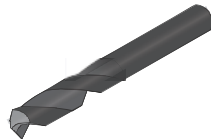
EQUITONE
Fibre Cement
Saw Blade



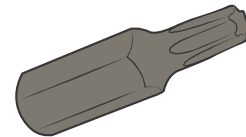
UNI-Screw



EQUITONE
Fibre Cement
Drill Bit
7mm



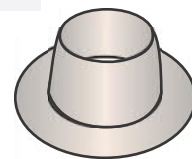
Torx T20



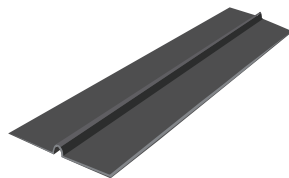
EQUITONE
[lines]
Milling Tool
7mm



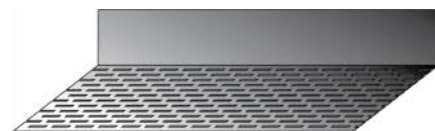
**UNI-Screw Collar



Horizontal
Joint Profile



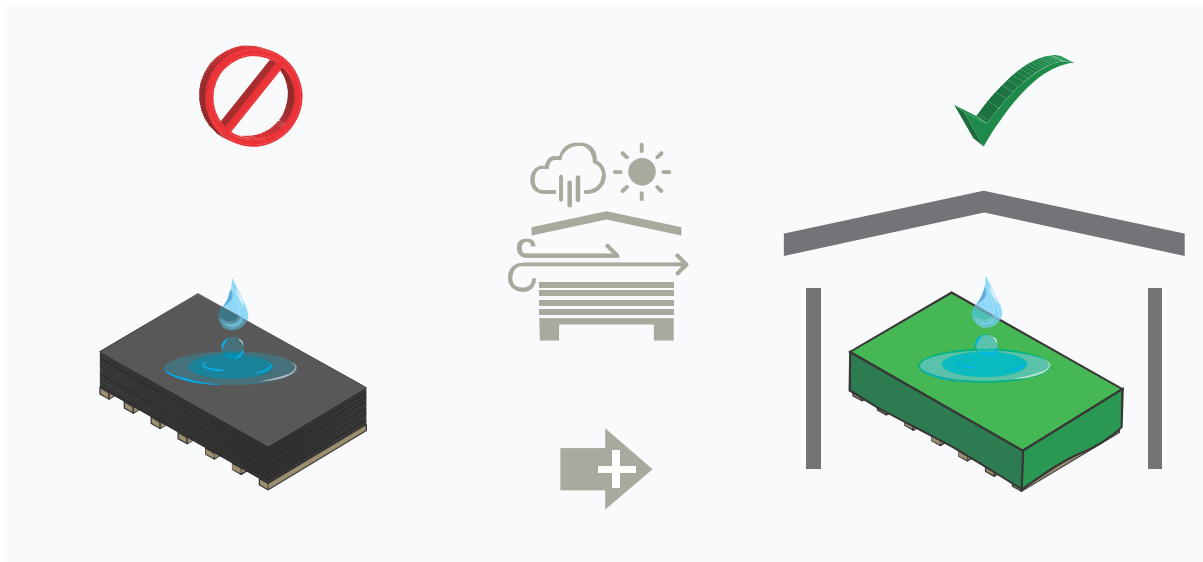
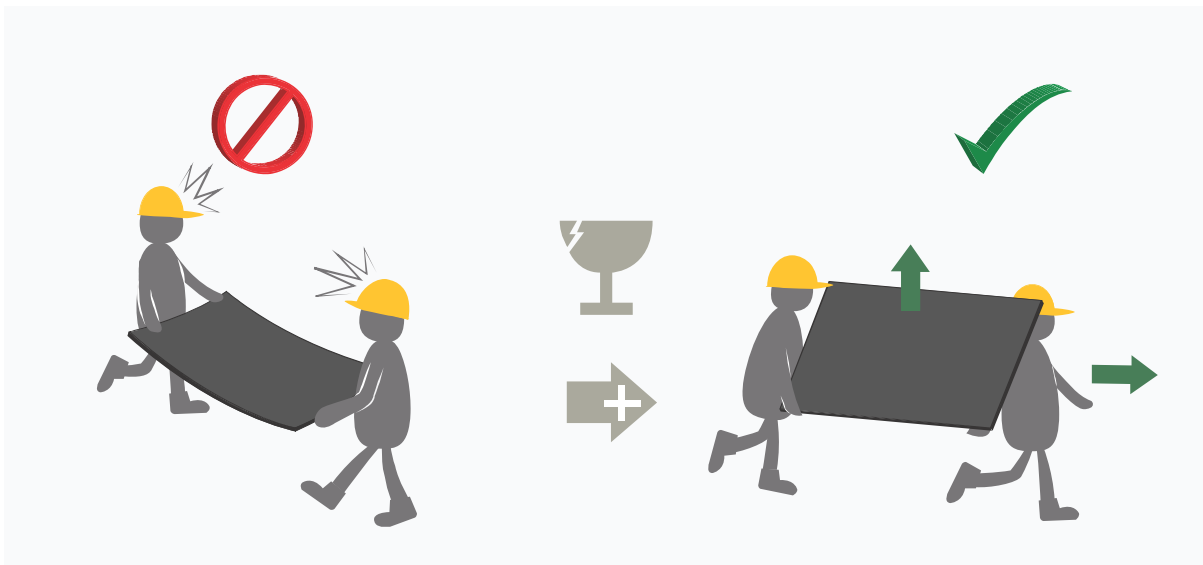
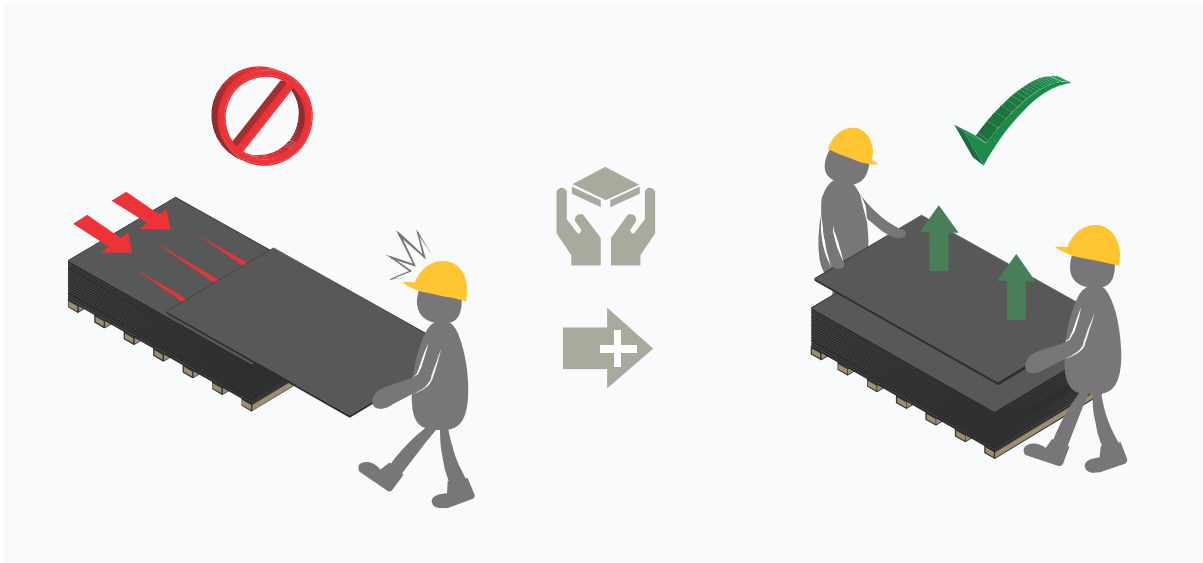
Perforated
Closure

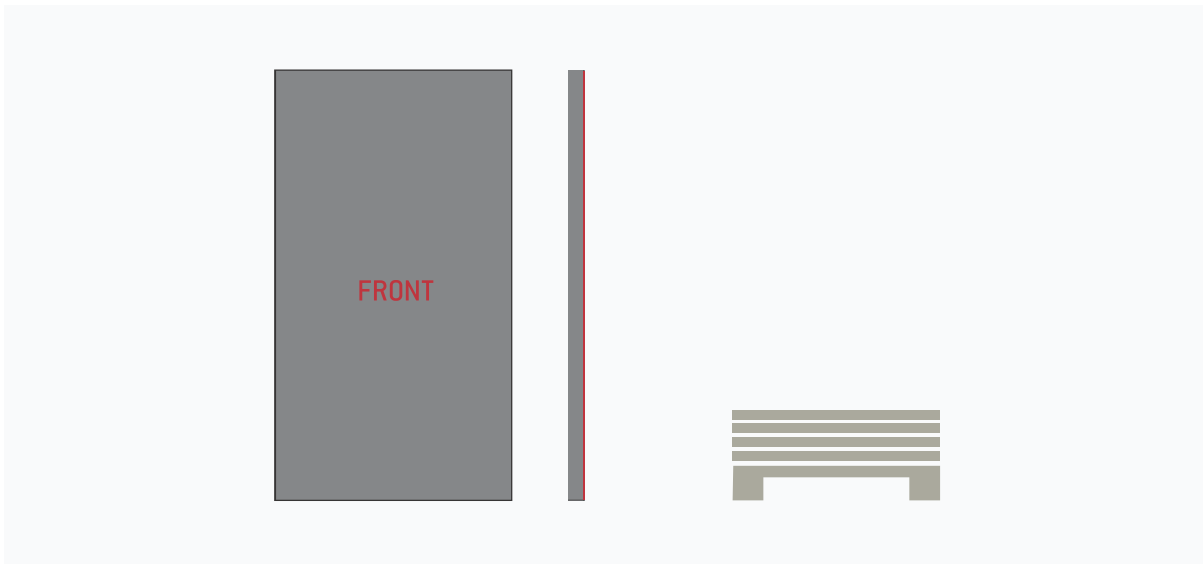
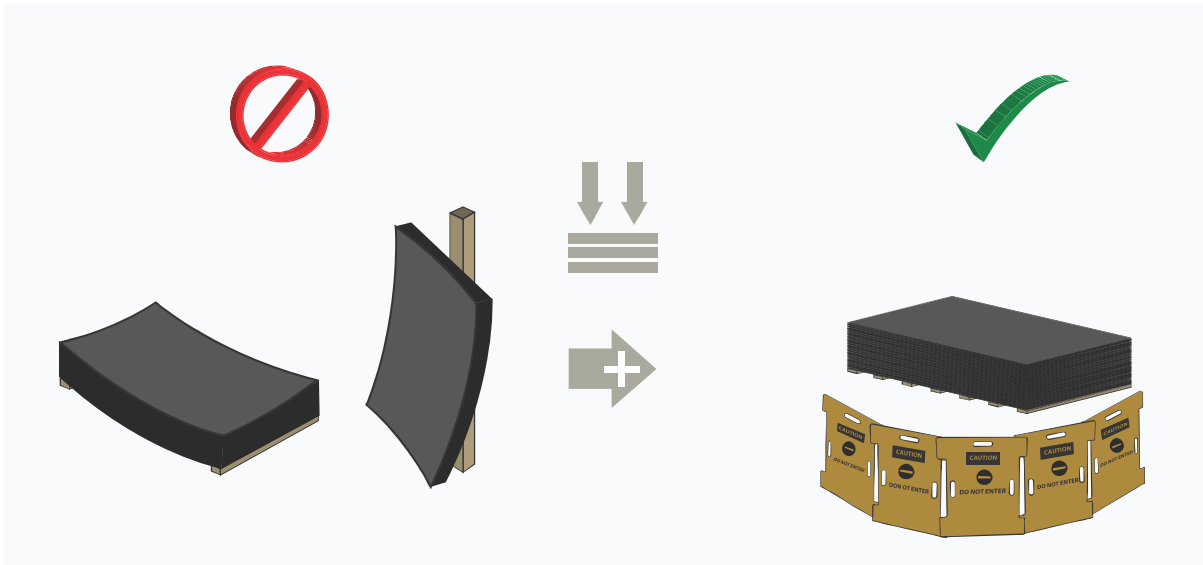


*Only for EQUITONE [natura] PRO & [natura]

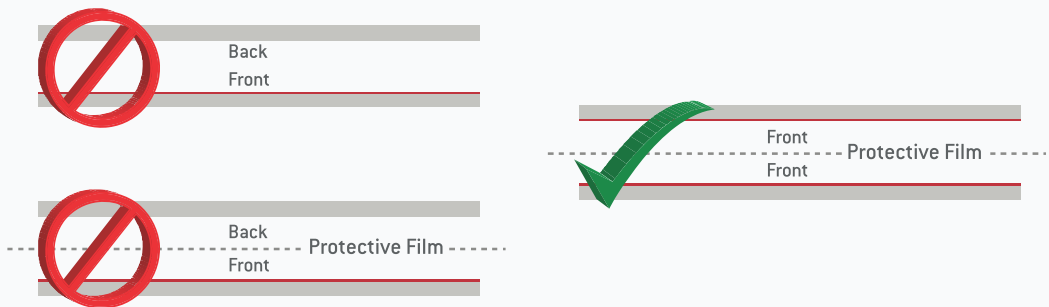
**Only for EQUITONE [natura] PRO & [pictura]

STORAGE & HANDLING

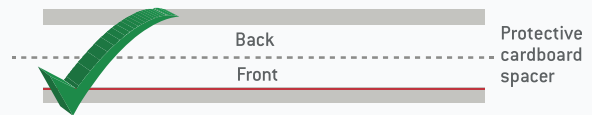
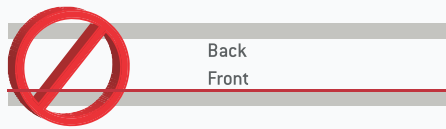




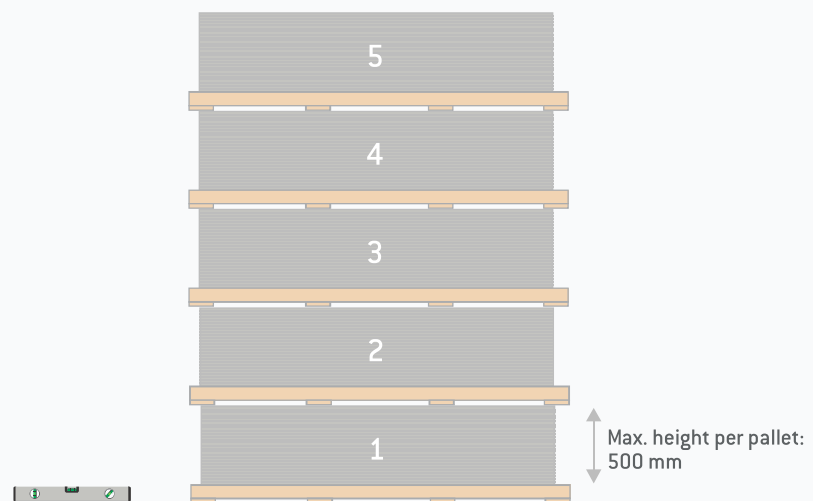
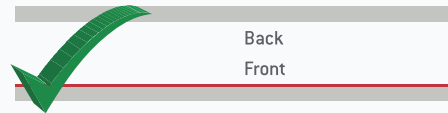
EQUITONE [natura], [natura] PRO, [pictura], & [textura]



EQUITONE [lines]

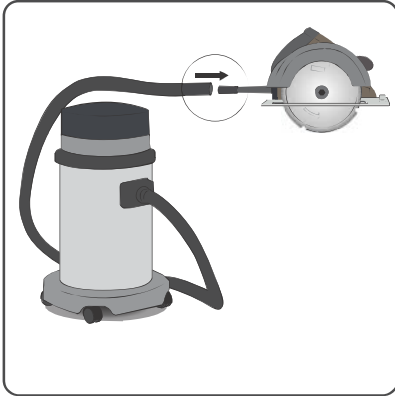


EQUITONE [tectiva] & [lunara]

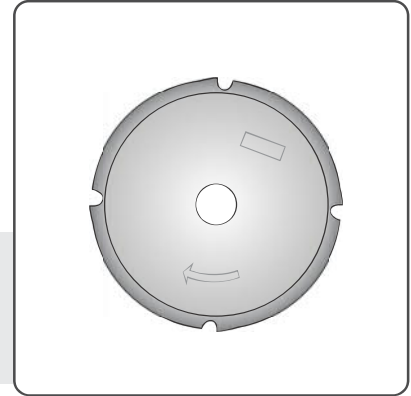


PANEL CUTTING

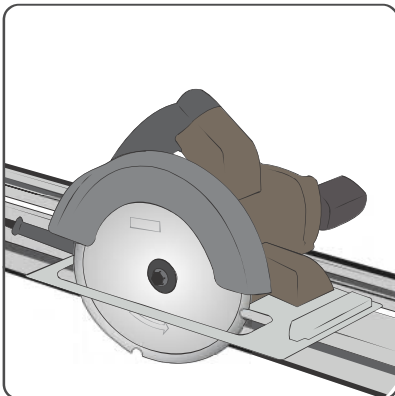
TOOLS



Dust extraction system



EQUITONE fibre cement saw blade



Circular saw & Guide rail



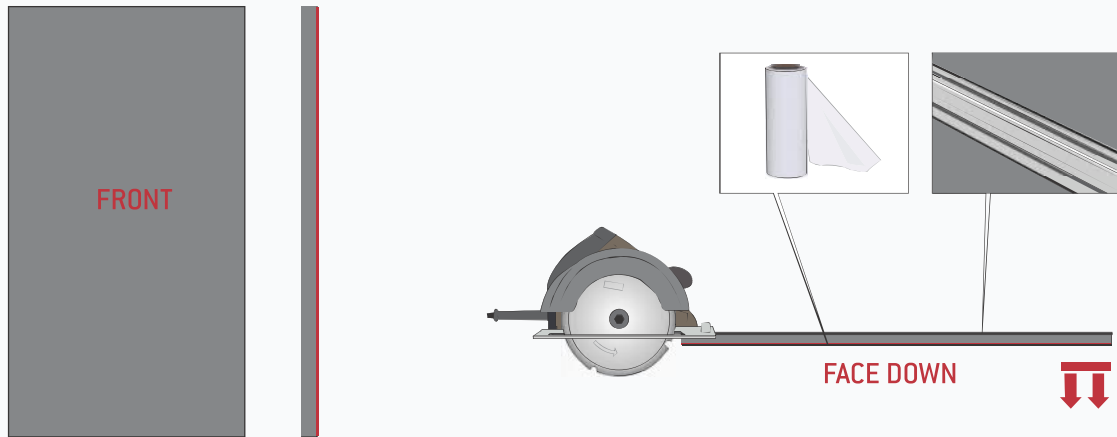
Styrofoam film



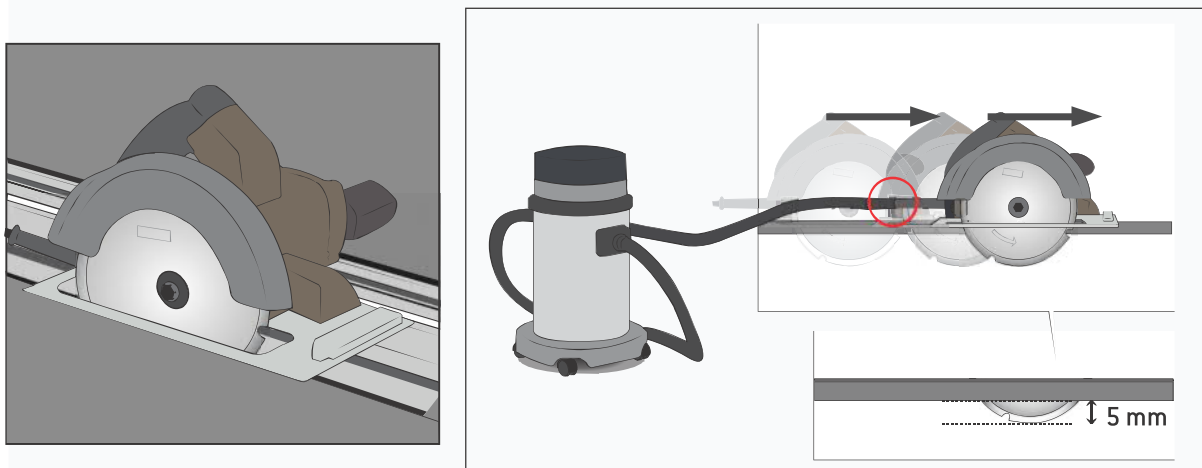
Stable Work Table With Sacrificial Board

PANEL CUTTING

1

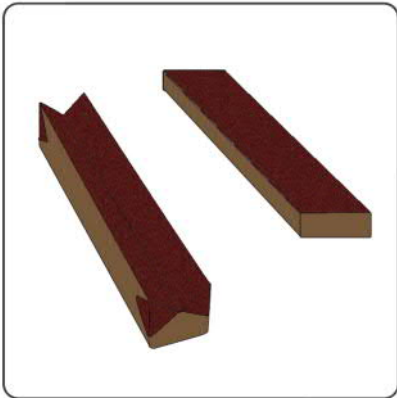


2



PANEL EDGE TREATMENT

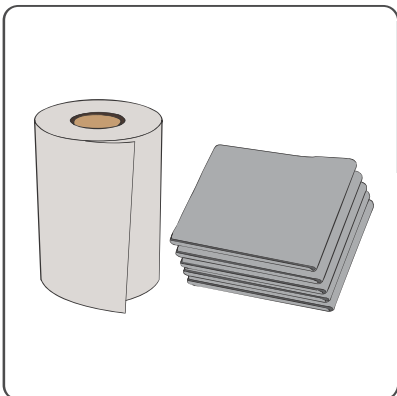
TOOLS



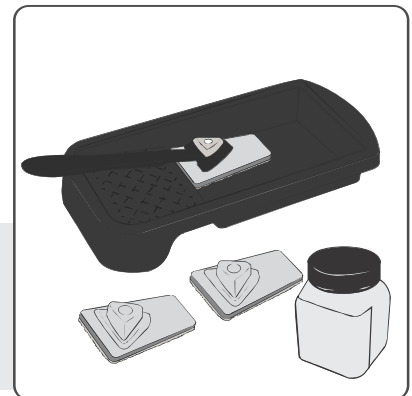
Sandpaper
(80 Grit)



Soft bristle
brush



Micro fibre cloth,
paper towel

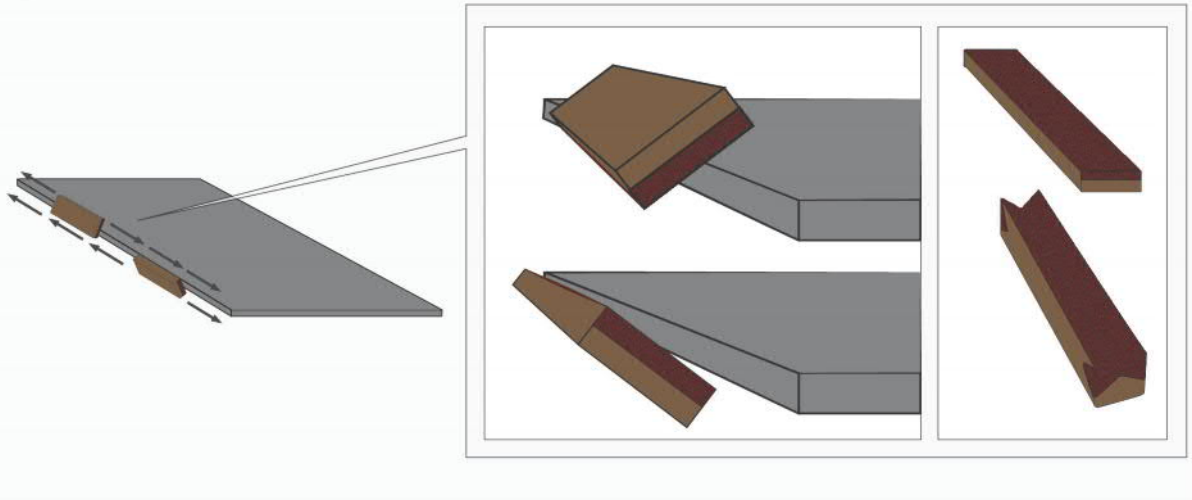


LUKO edge sealer
& applicator

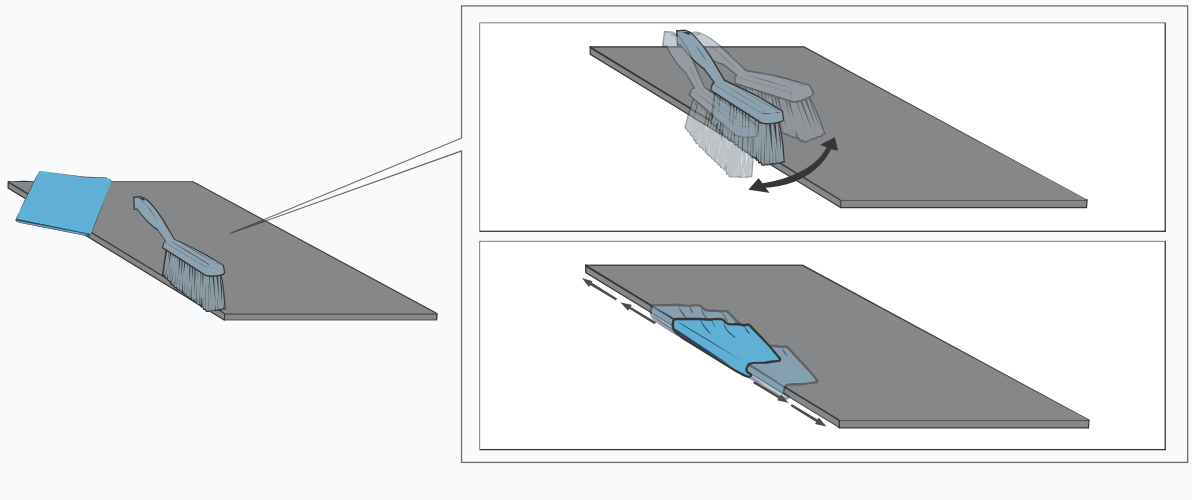
*For EQUITONE
[natura] & [natura] PRO

PANEL EDGE TREATMENT

1

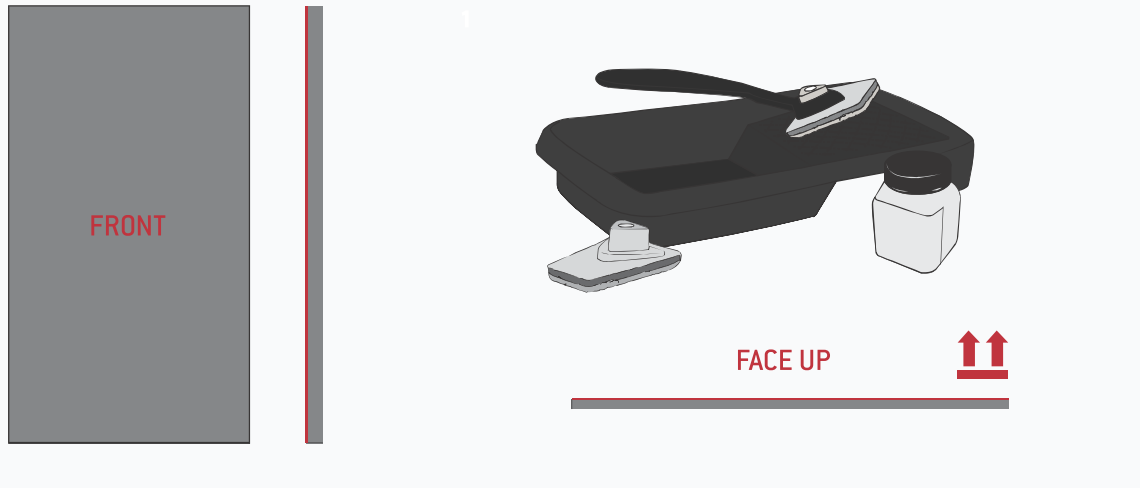


2

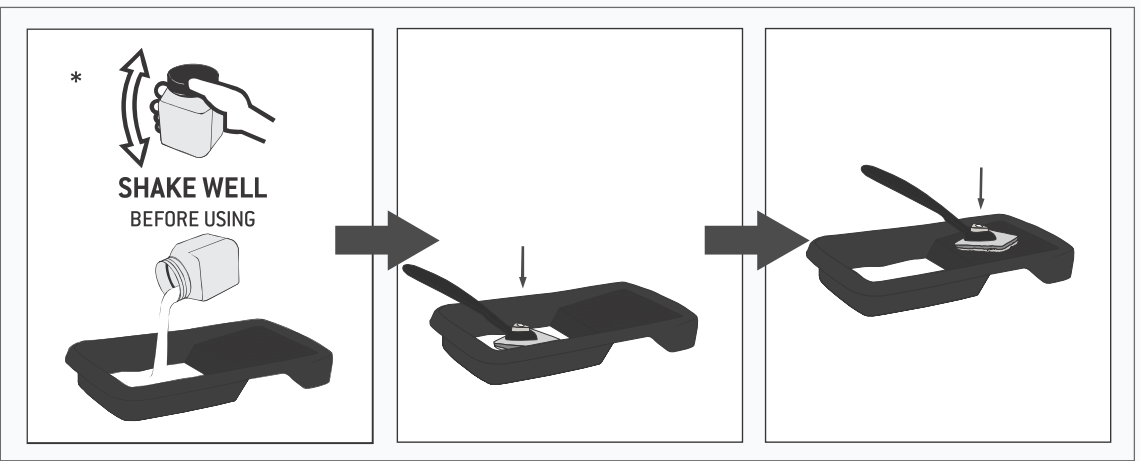


Steps 3 to 7: Only applicable to EQUITONE [natura] & [natura] PRO

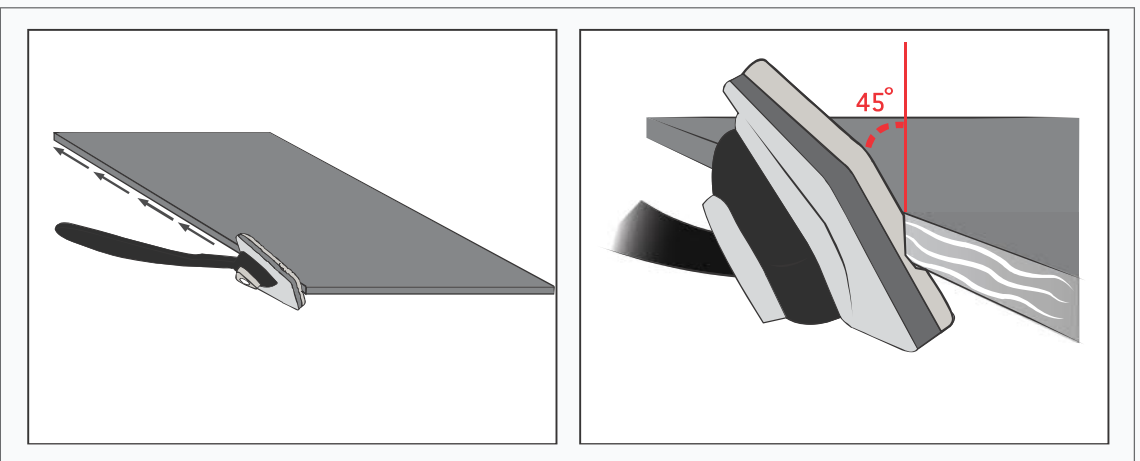
3



4

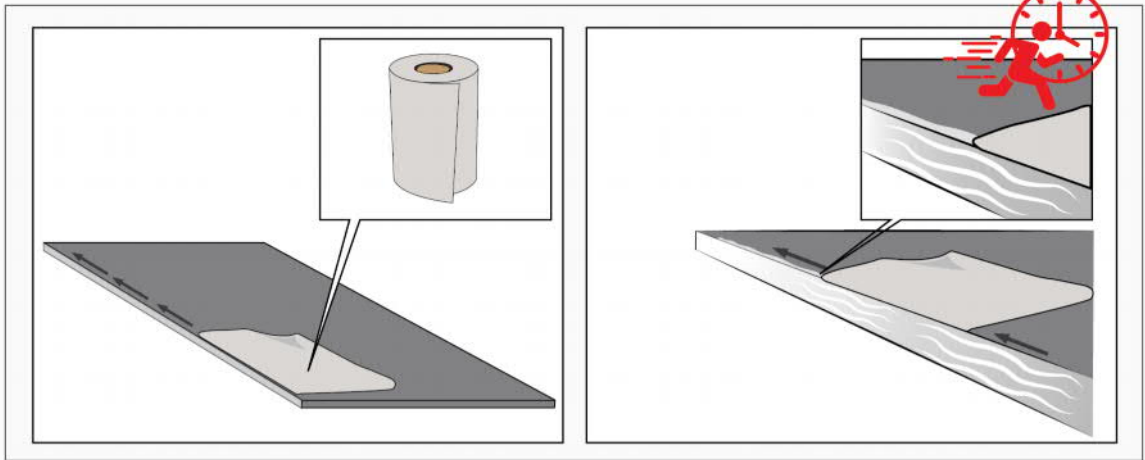


5

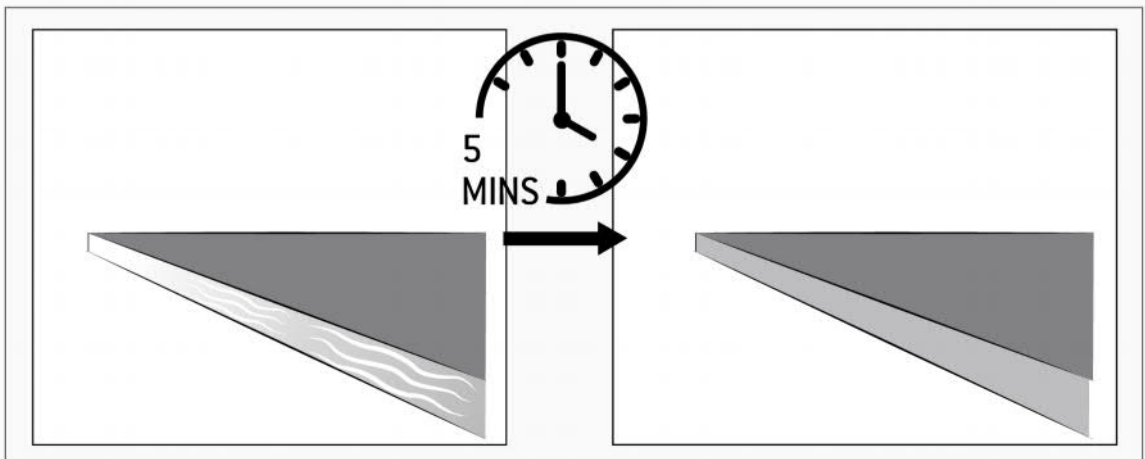


* Pour only enough LUKO into the tray that can be used within 30 minutes.

6

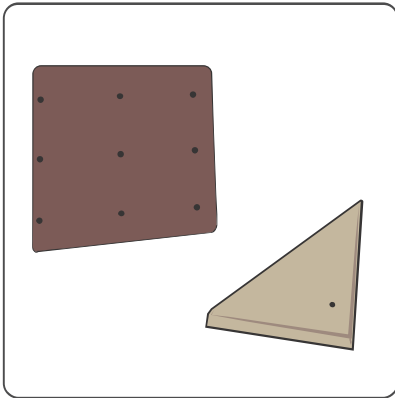


7



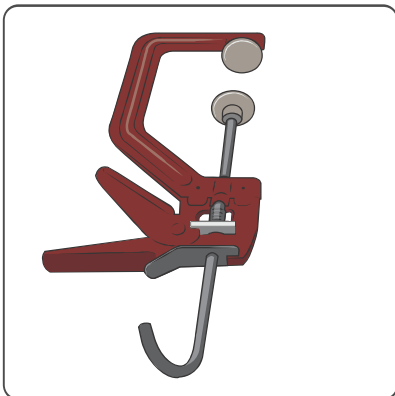
PANEL DRILLING

TOOLS



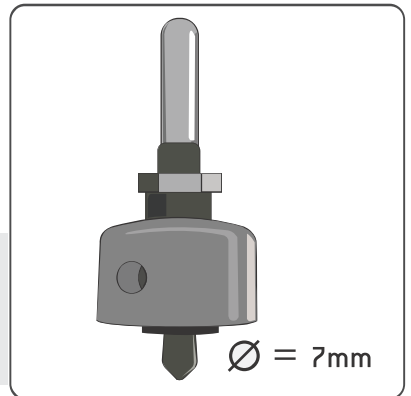
Hole Template
(Optional)

EQUITONE Drill Bit
7mm Diameter



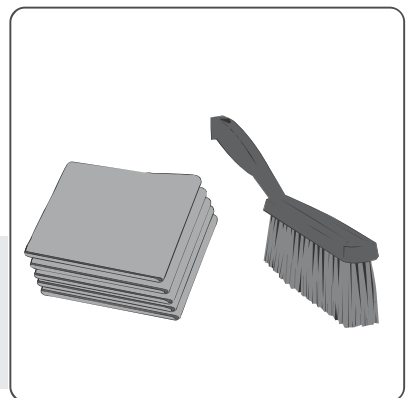
G Clamp
(Optional)

EQUITONE [lines]
milling tool
7mm Diameter

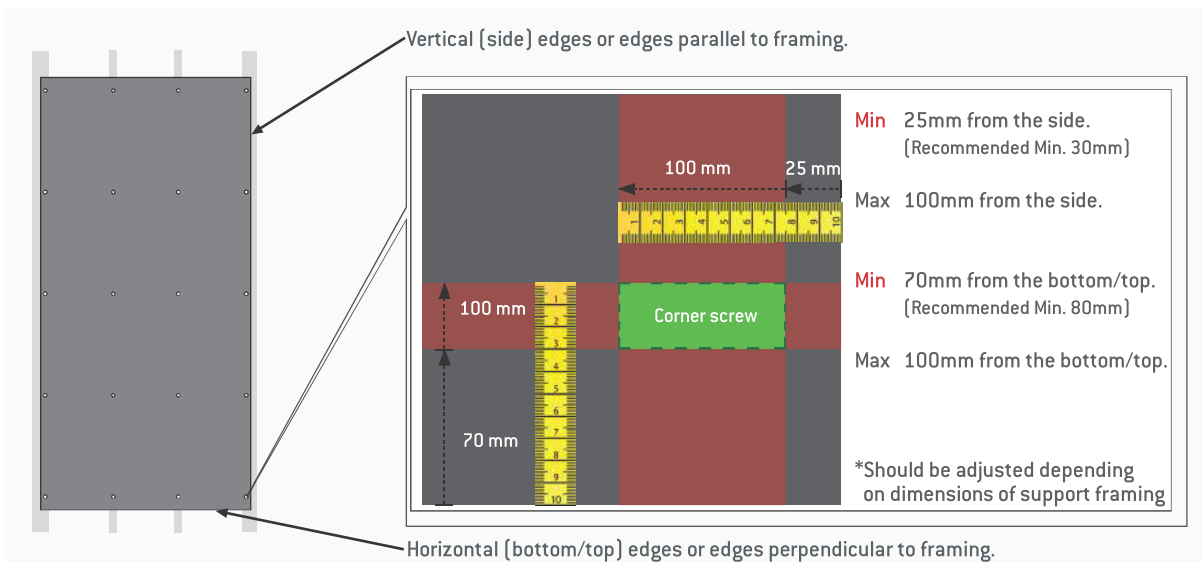
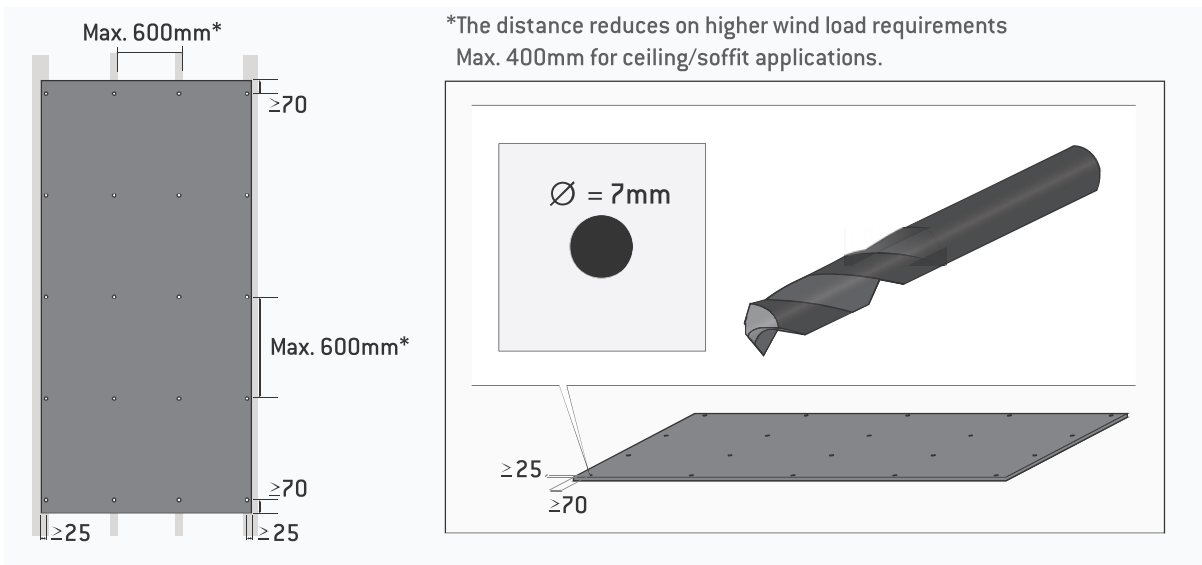
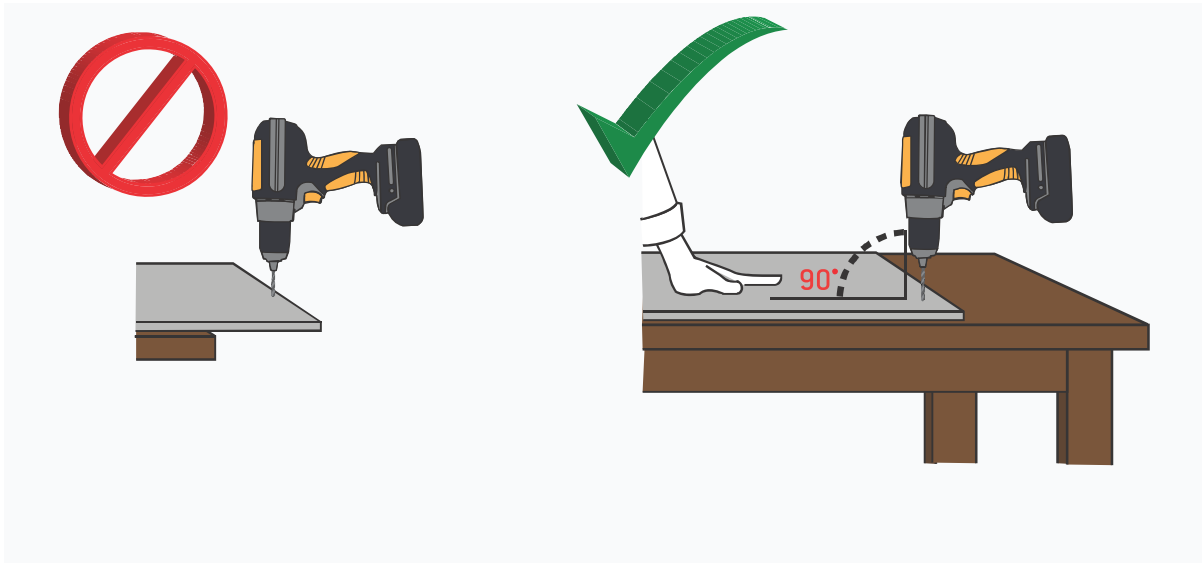


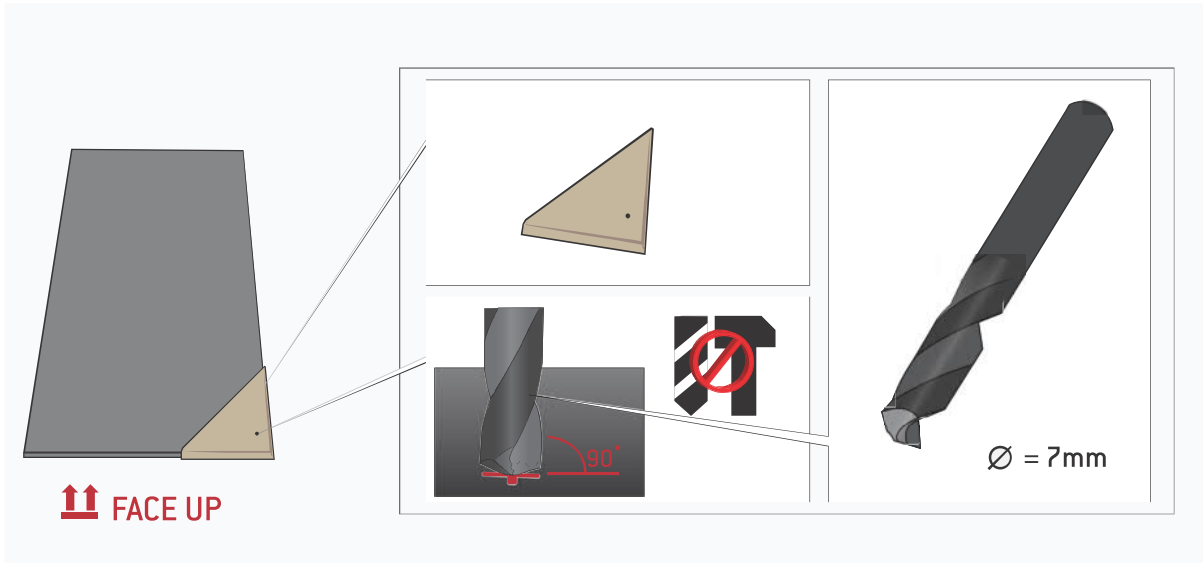
Stable Work Table
With Sacrificial
Board/Fibre Cement

Micro Fibre Towel
& Brush



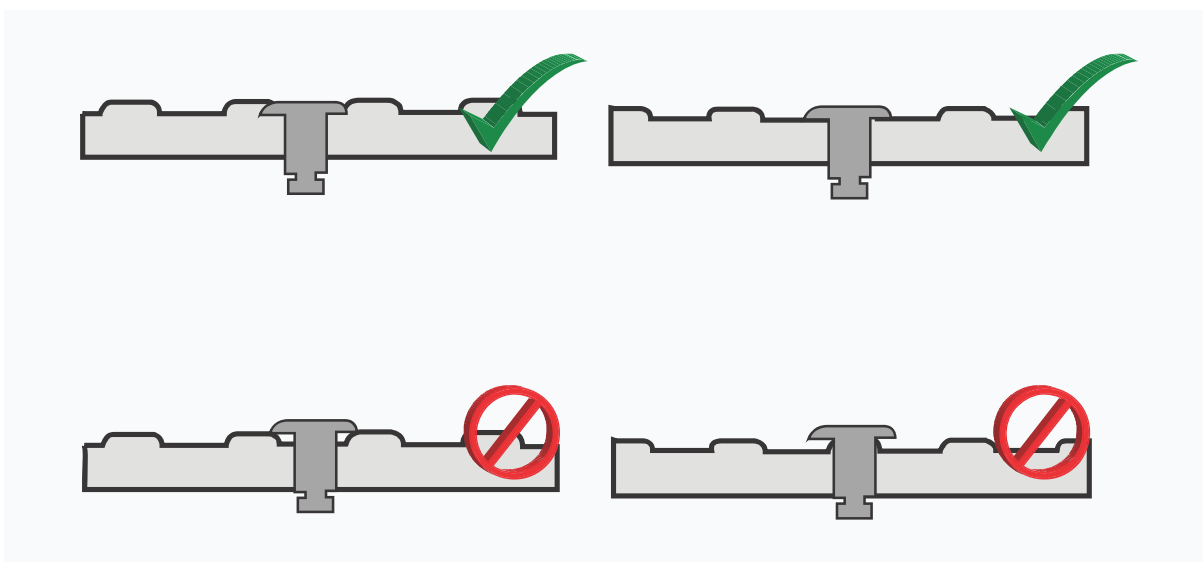
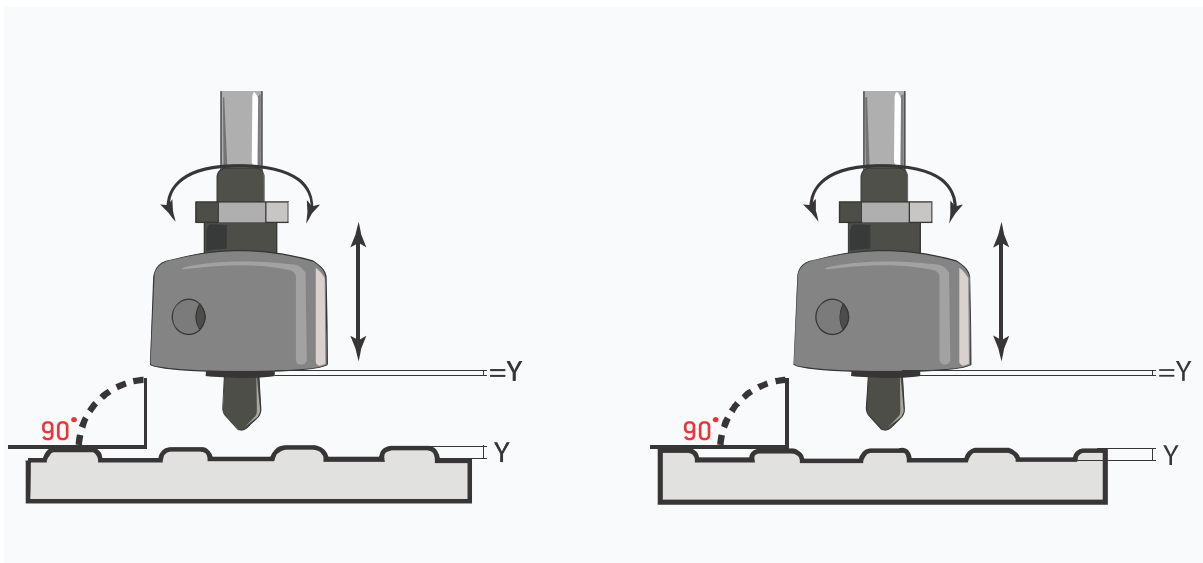
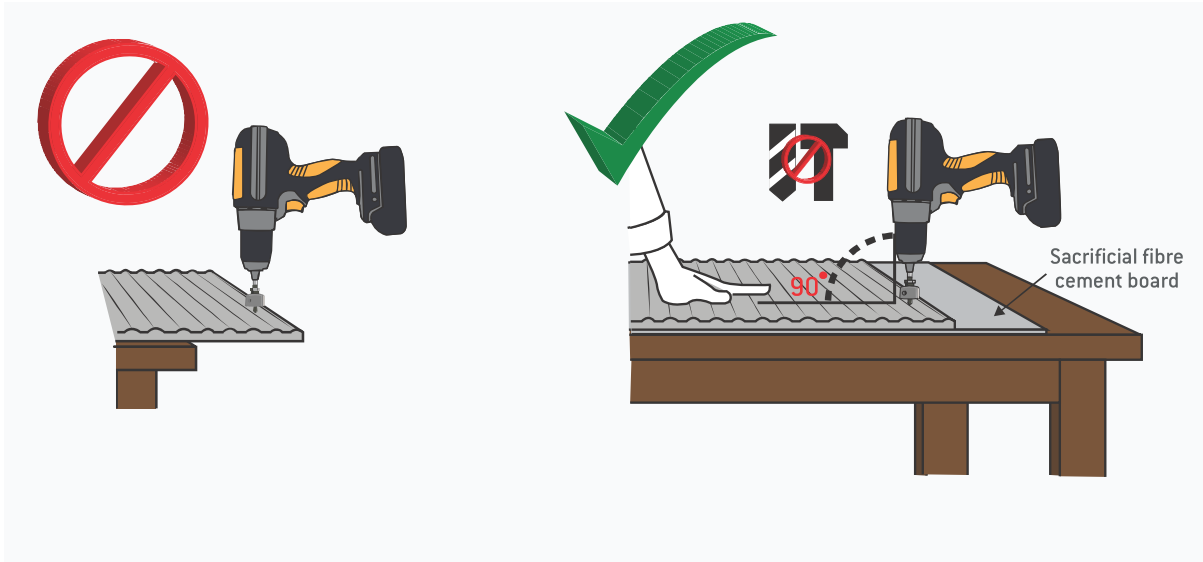
PANEL DRILLING

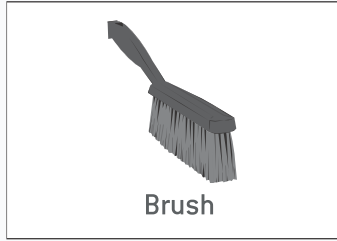
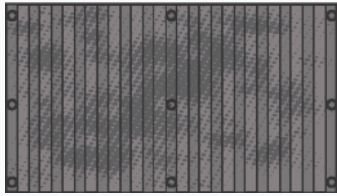




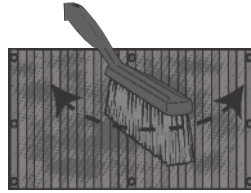
PANEL DRILLING

EQUITONE [lines]

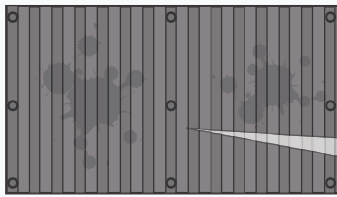
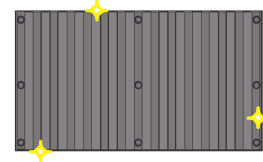




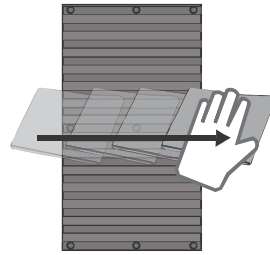
1



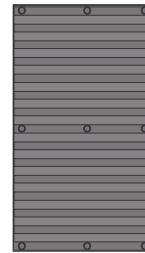
2



3



4

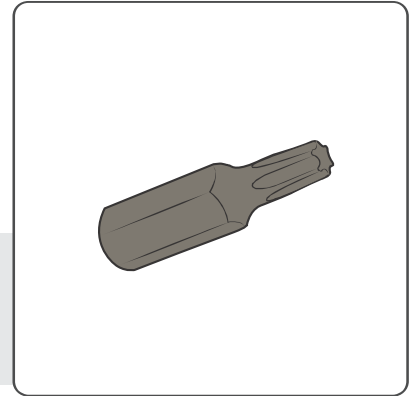


UNI-SCREW FIXING

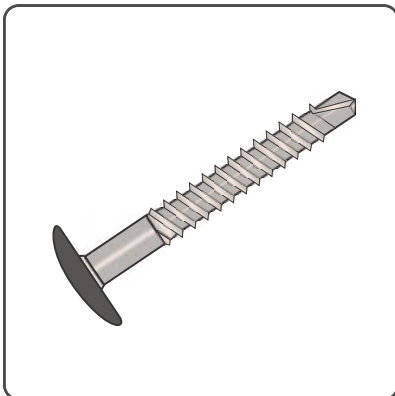
TOOLS



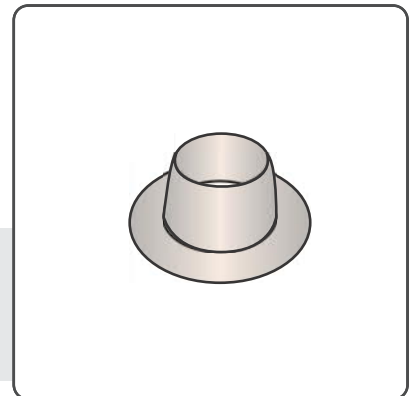
Cordless Drill



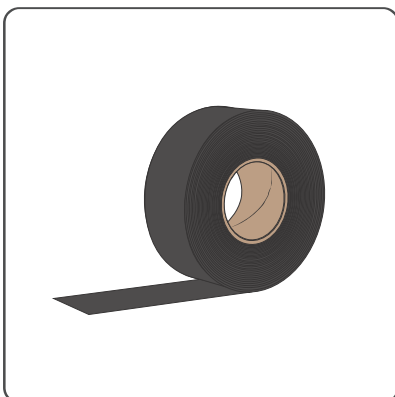
Torx T20



UNI-Screw



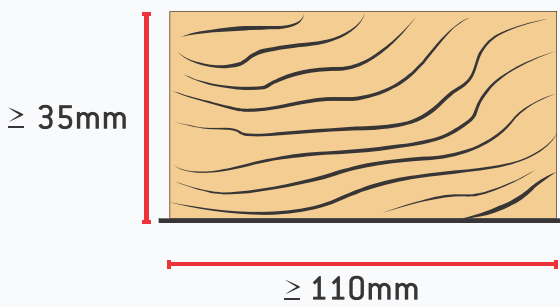
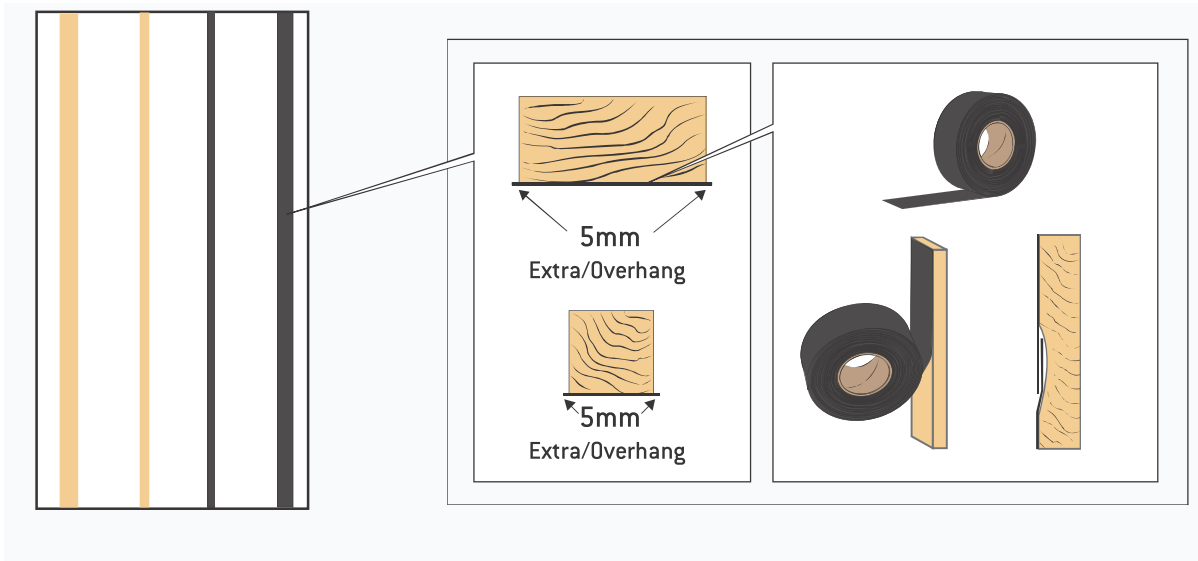
*UNI-Screw Collar



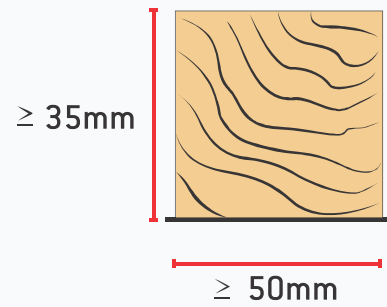
EPDM Strip

*Only for EQUITONE [natura] PRO & [pictura]

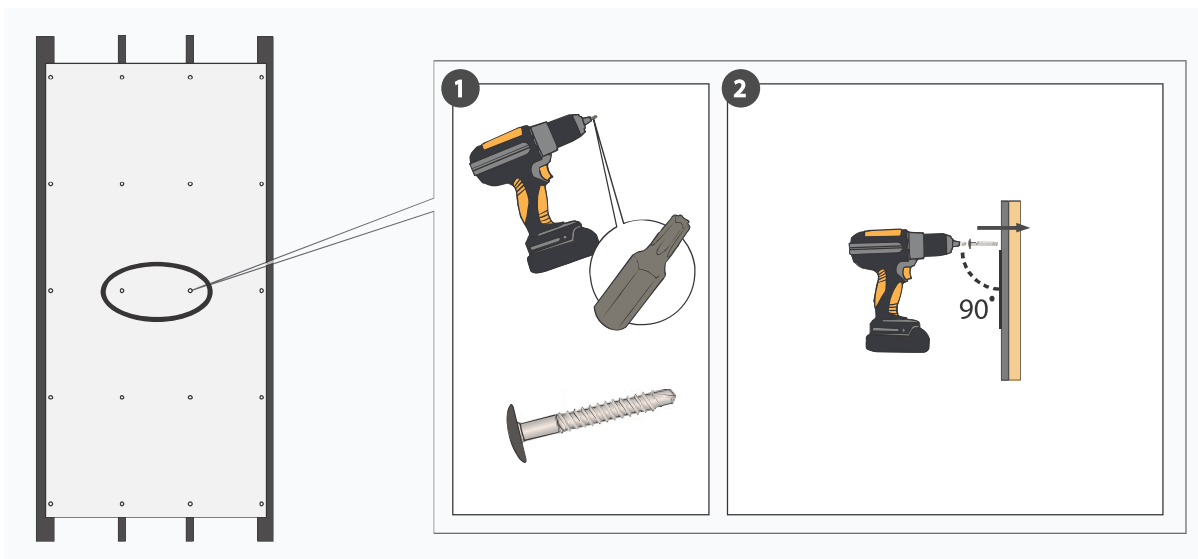
UNI-SCREW FIXING

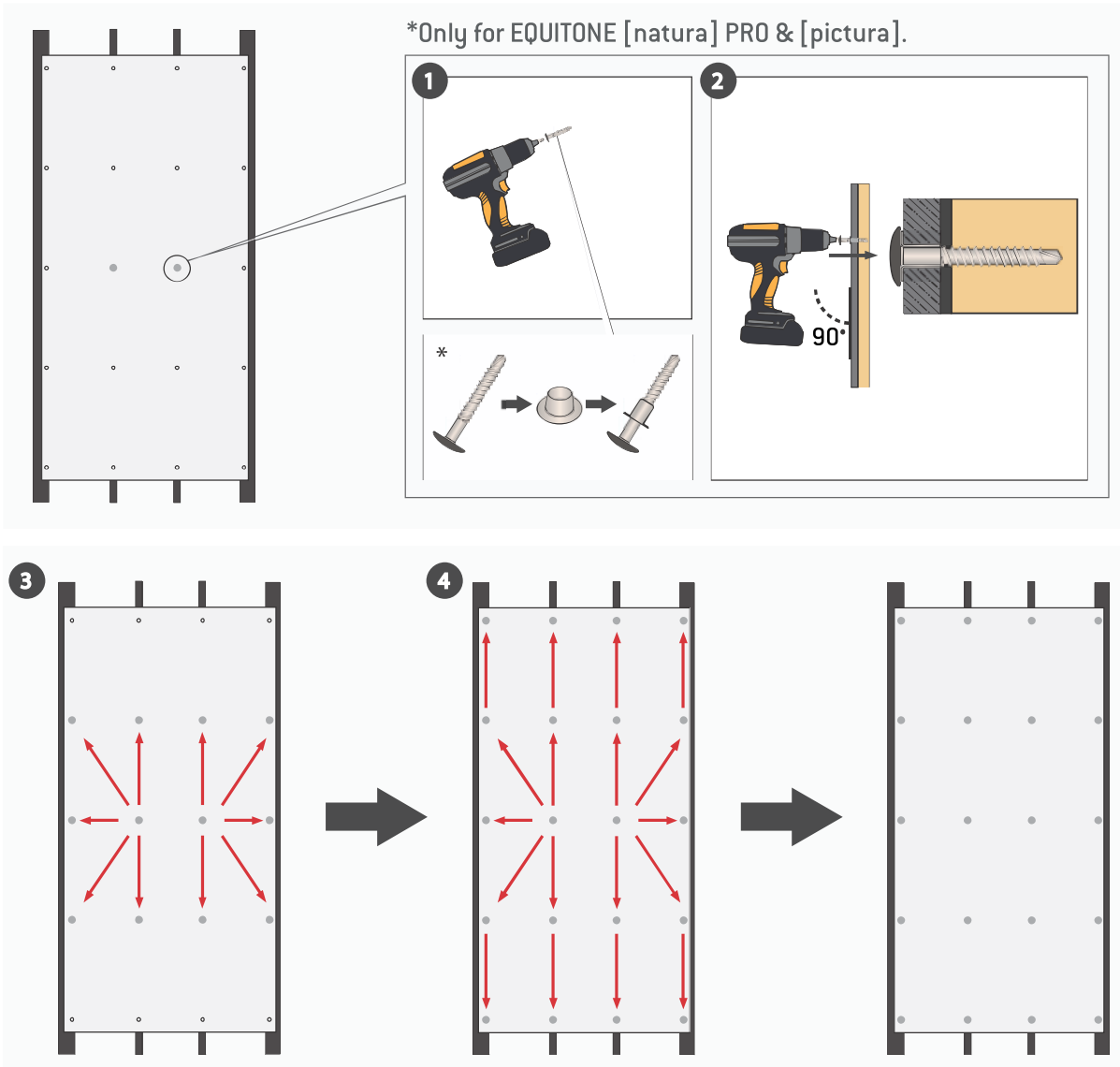


Joint batten

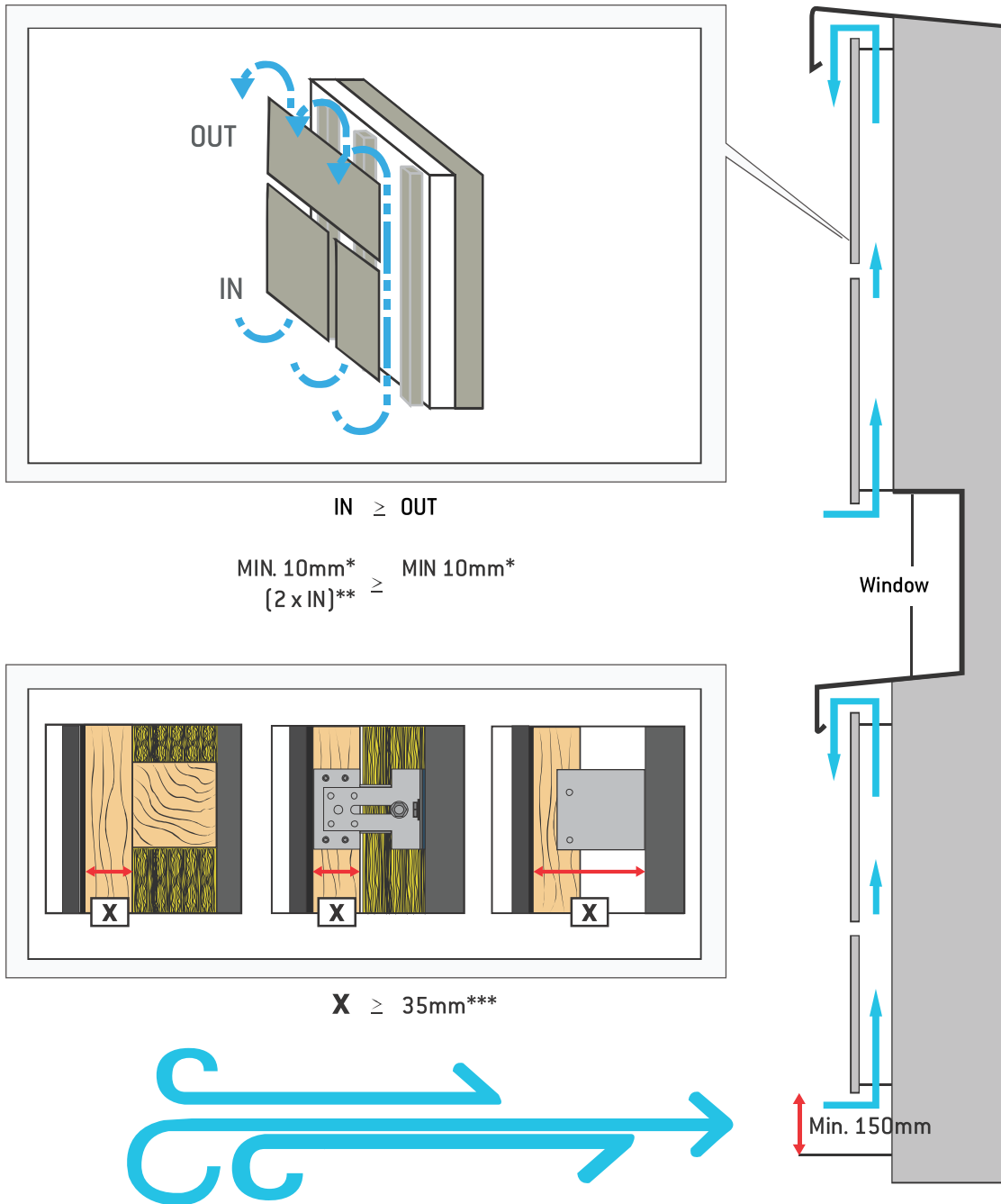


Intermediate batten





VENTILATION



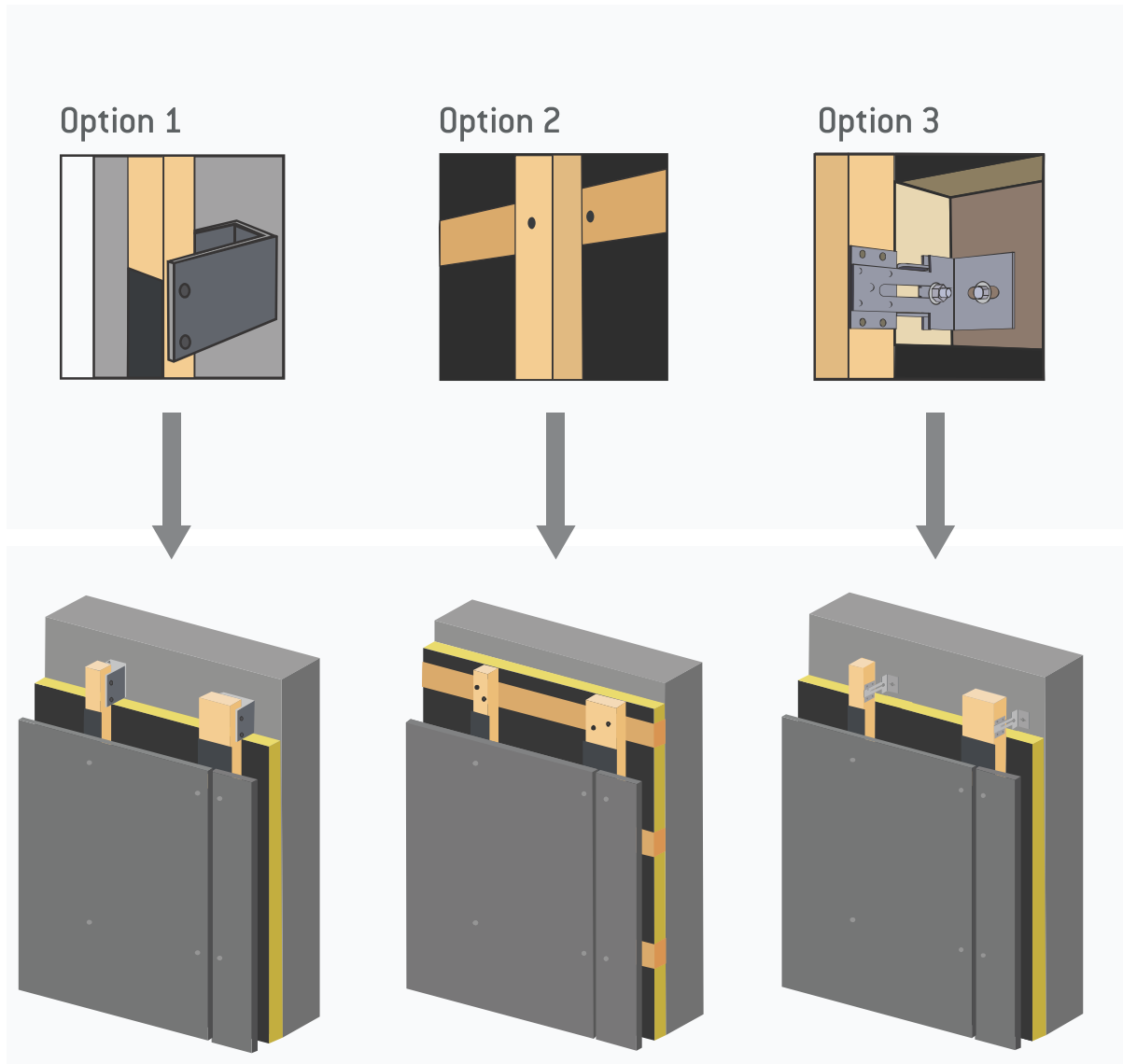
* Refer to other relevant EQUITONE technical documents for the recommendations on the minimum sizes of ventilation inlets and outlets as well as minimum ground clearances.

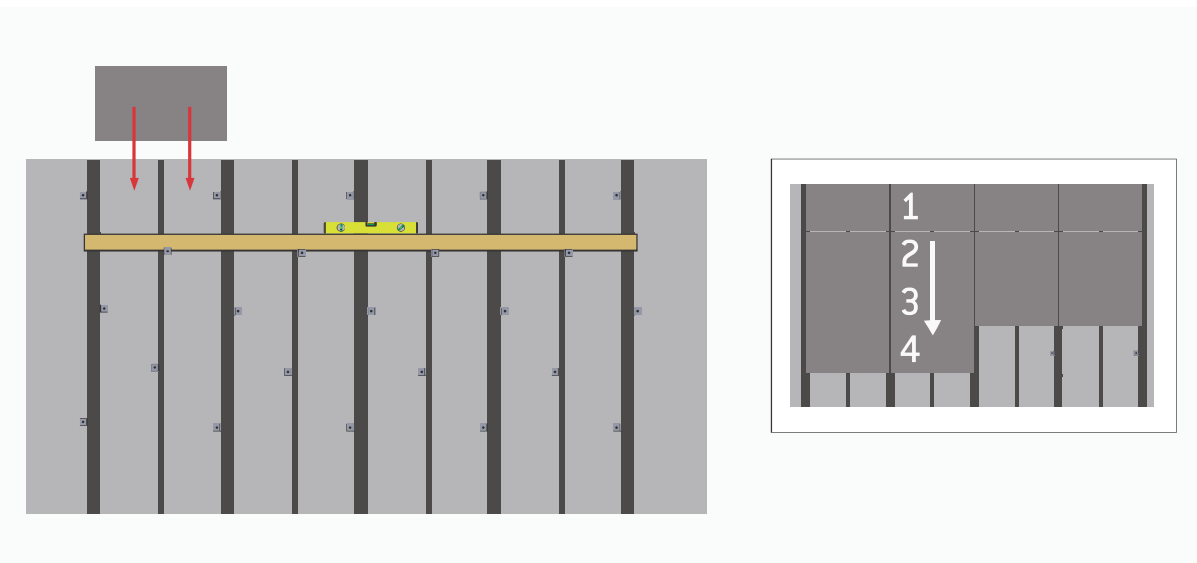
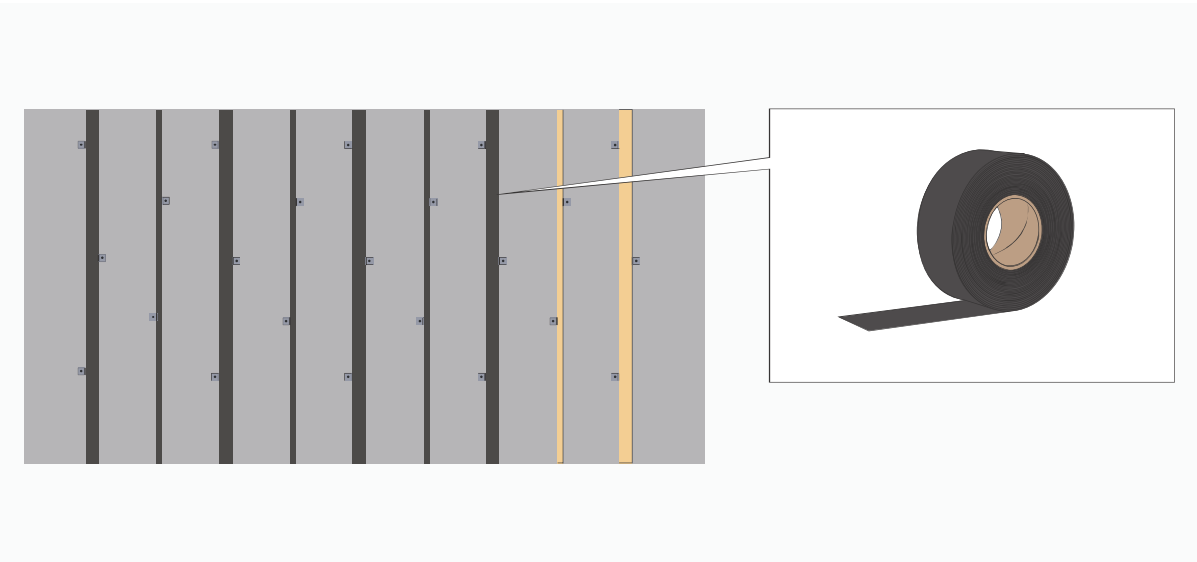
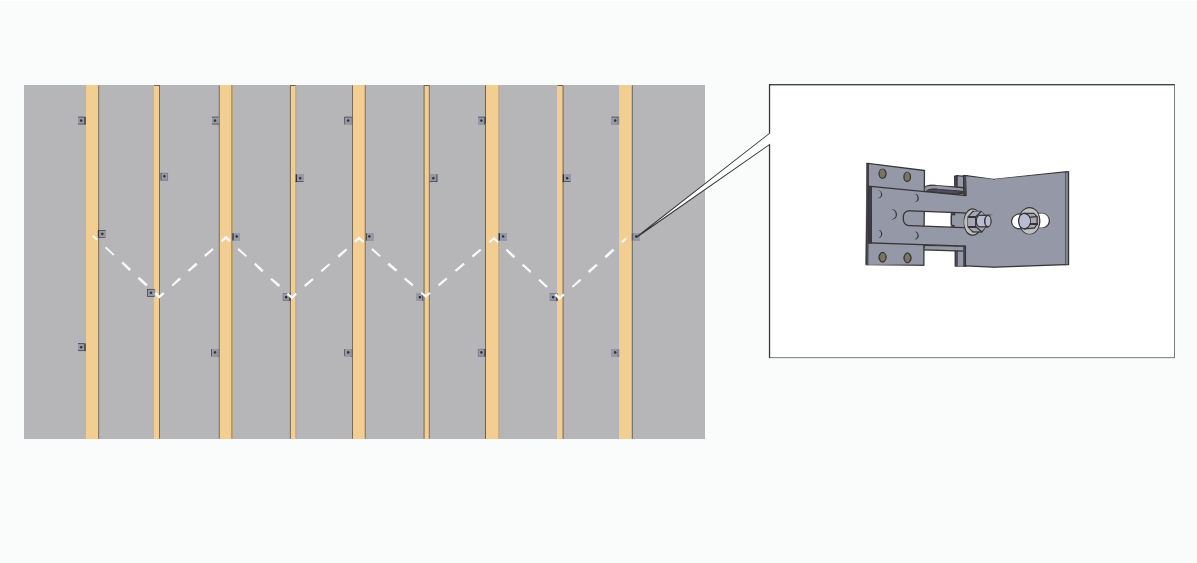
** If perforated closure profile is used.

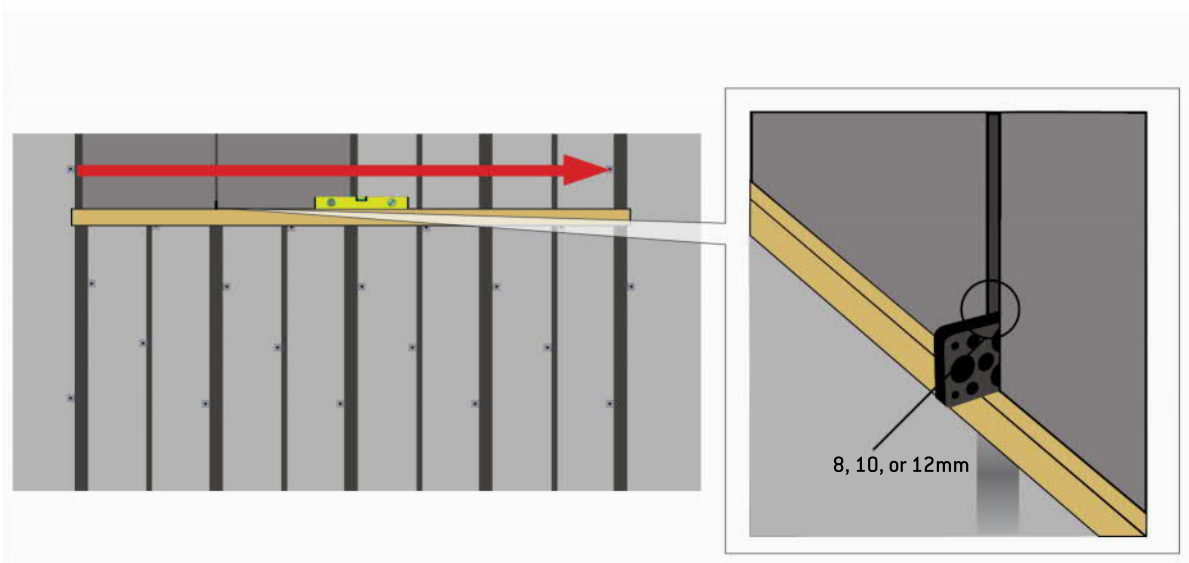
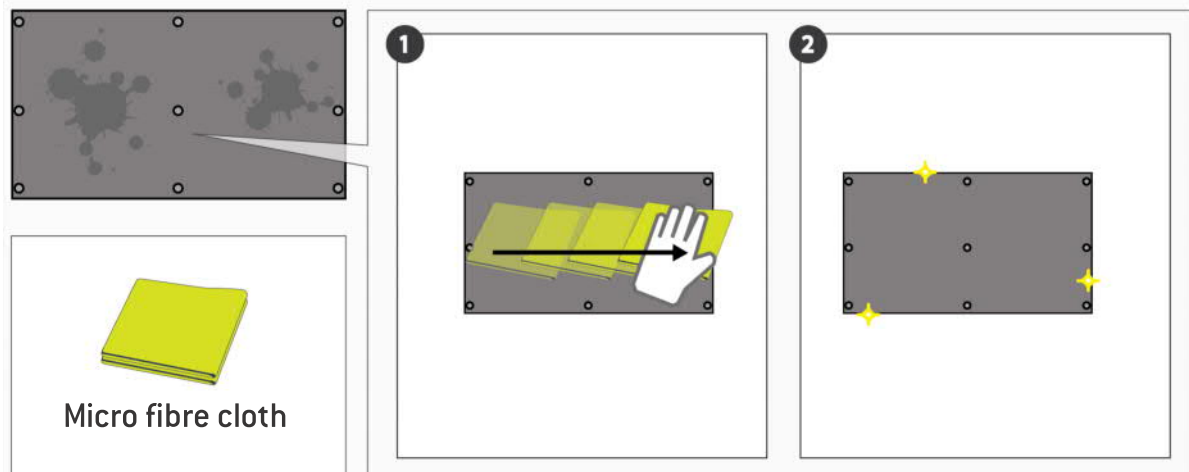
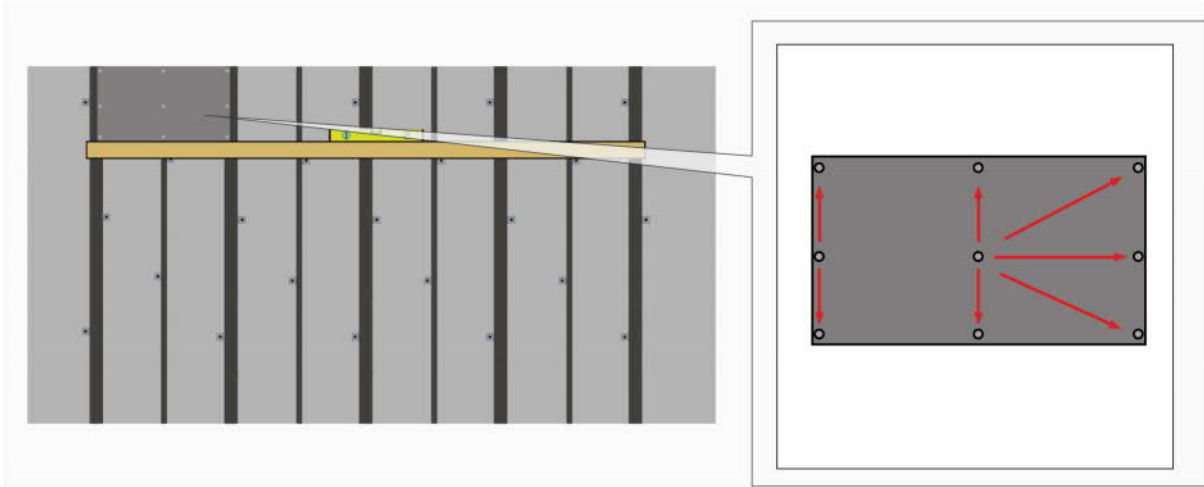
*** Cavity space X increases as the height of the facade & vertical distance IN & OUT increases. Refer to the Design and Installation Guide for further information.

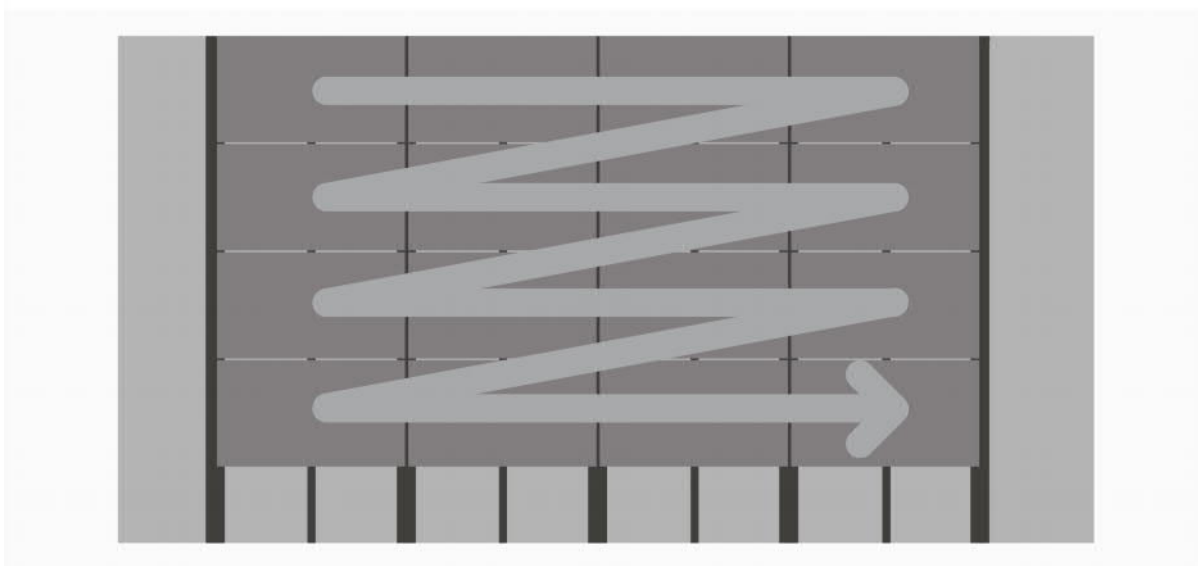
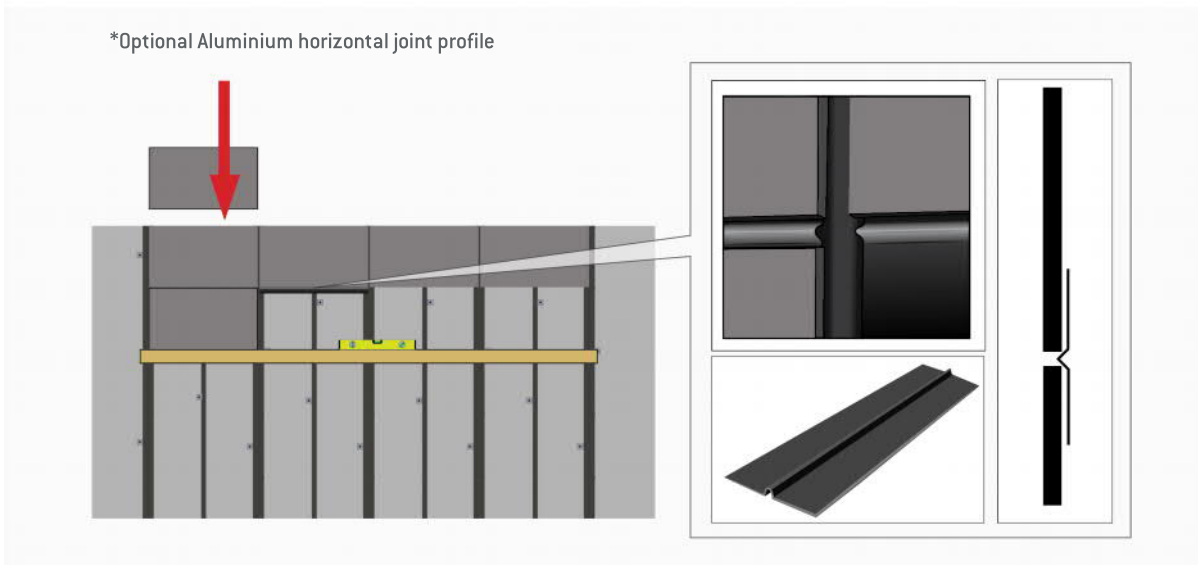
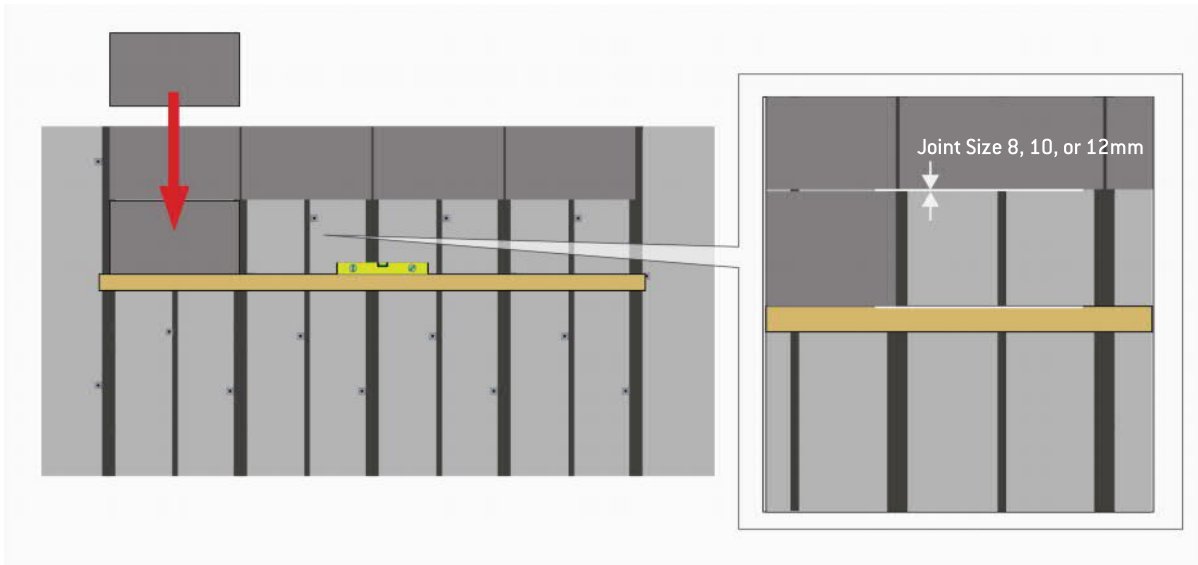
INSTALLATION

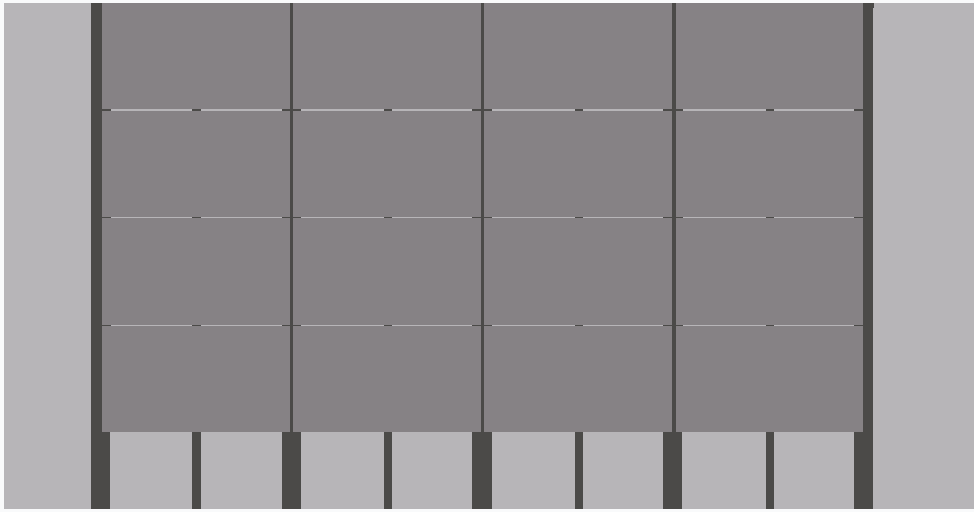
Typical batten fixing options



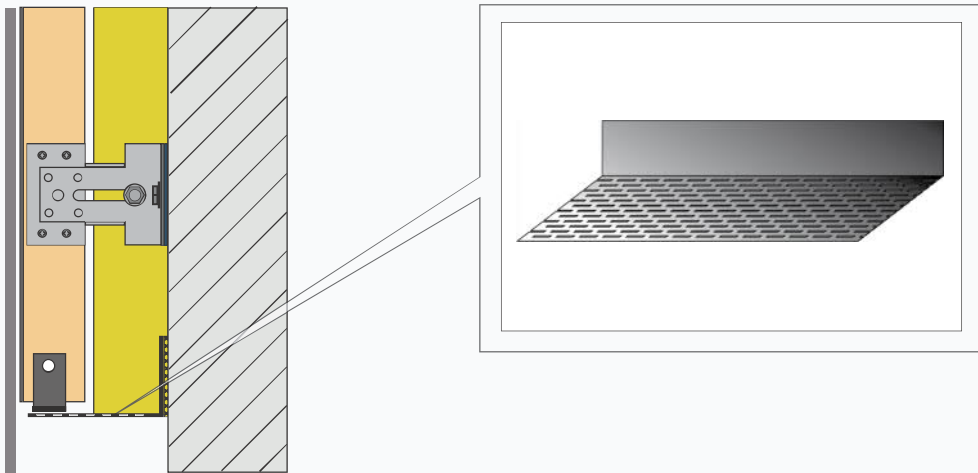








*Optional Aluminium perforated closer





EQUITONE

Fibre cement facade materials

[equitone.com](https://www.equitone.com)

Follow us:

 [equitone facade](#)

 [equitone facade](#)

Etex Exteriors ANZ
Suite 201
198 Harbour Esplanade Docklands VIC 3008
Australia

+61 (03) 9988 2290

info.australia@equitone.com